



File was found and ready to download!

UPDATED 14 HOUES AGO

Fastest Source: [usenet.nl](#)

Click the **download button** and select one of the found **cloud sources**.

6.4



2865 VIEWS

[Download](#)

SECURE SCANNED

You need to [log in](#) before you can post comments.



Navigation

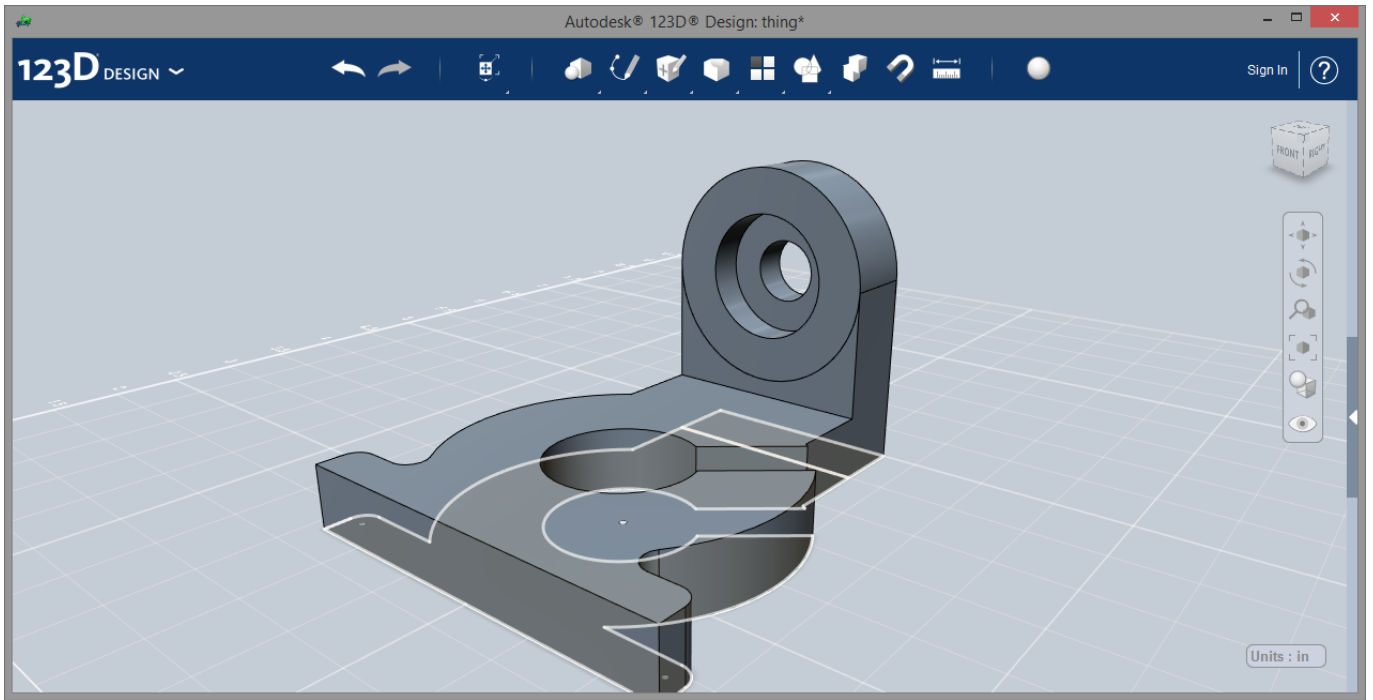


Registration



FAQ

[Download Autodesk 123d Design For Mac](#)



[Download Autodesk 123d Design For Mac](#)



File was found and ready to download!

UPDATED 14 HOUES AGO

Fastest Source: [usenet.nl](#)

Click the **download button** and select one of the found **cloud sources**.

6.4



2865 VIEWS

Download 

 SECURE SCANNED

You need to [log in](#) before you can post comments.



Navigation



Registration



FAQ

Need to be leading off the curve on 3D typography and personal invention? Create the everything you imagine, and then present them real! Autodesk 123D Make is a professional software application designed to help users manipulate and optimize 3D models by applying several adjustments.

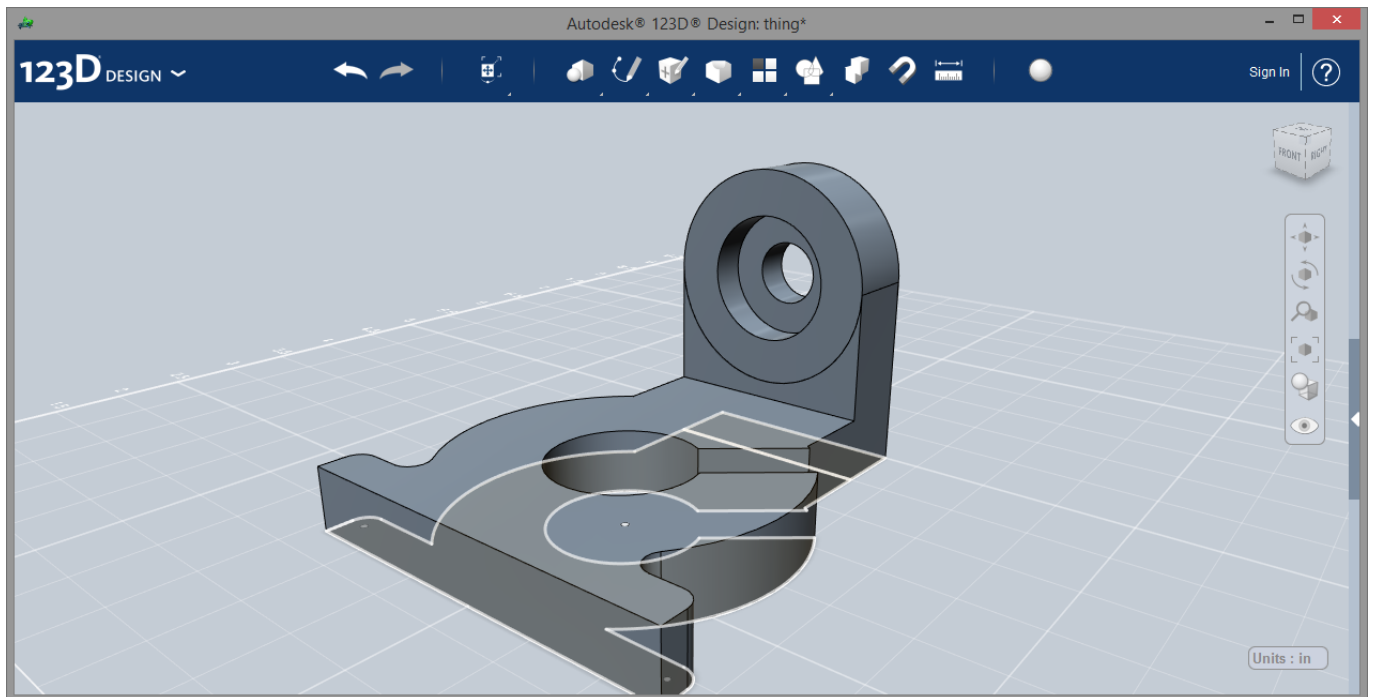
1. [autodesk design](#)
2. [autodesk design review download](#)
3. [autodesk design software](#)

Then 3D print your model, or send it directly to our fabrication service to be made for you.

autodesk design

autodesk design review, autodesk design academy, autodesk design, autodesk design review download, autodesk design review 2020, autodesk design software, autodesk design suite, autodesk design review 2013, autodesk design review for mac, autodesk design academy certificate [Sony Cd-rw Crx320e Free Driver Download](#)

How it works • Get started quickly with one of the basic shapes, in just a few clicks you can already be cruising along with your design.. No longer; the successor to that app, 123D Design, is now out for, I gave the iPad version of 123D a try, and it's a lot of fun.. • Ready to 3D print?Converting your model from digital to physical is just a few clicks away. [Flyff v19 official filest](#)



[Nero Gratis download](#)

autodesk design review download

[Vmware Workstation 15 Download For Mac](#)

Autodesk 123d Design For EducationAutodesk 123d Design PremiumAutodesk 123d Design For EducationAutodesk 123D Design is a powerful, but easy to use software application that enables people to create detailed 2D and 3D models.. Download 123d Design For WindowsAutodesk 123d CatchDownload 123d Design For Windows• 123D Design automatically creates the

most natural connection between parts.. • Check out projects from other 123D Design users, right in the app 3d cad software for mac.. You need to do a couple of things: • Make sure your model is good; don't have any objects floating above other objects (for best results, make sure stacked objects overlap a bit).. One of the biggest differences between most 3D modelling software Autodesk 123D Design is an open, secure, yet comfortable 3D making tool which helps many new 3D printing devices. [Logo Design Studio Pro 2](#)

autodesk design software

[Getthemall For Mac](#)

• Preview what your project would look like when it's made by adding realistic materials like plastic, ceramic, wood, and metal.. It doesn't have all the features of the desktop 123D Design app (such as boolean operations).. Design the things you imagine, and then make them real! With Autodesk 123D Design you can use natural design and editing tools to create a 3D model.. More cool stuff • If you design easier on a flat piece of paper, start with a sketch and then make it 3D when you're ready.. Take the power of AutoCAD wherever you go! Autodesk viewer for mac free. When moved, objects will align and snap to connection points like the corners and the center of faces.. That's not what you want? Don't worry; you can define your own specifics • Save your designs to your desktop, or save them to My Projects where you can access them from the 123D Design web and desktop apps.. I was able to knock out a quick chess pawn in it, which you can view Speaking of the 123D gallery, you're probably wondering how you get an STL off your iPad.. Autodesk 123d Design PremiumAutodesk has been steadily improving their, but one missing piece for Mac users has been the flagship 123D CAD app. ae05505a44 [Windows 7 Original Tudos Versoes Iso Download](#)

ae05505a44

[Download One Up On Wall Street Free Epub Download](#)